

60W 3 ZONE TRANSFORMER MOTION SENSOR

SPECIFICATIONS

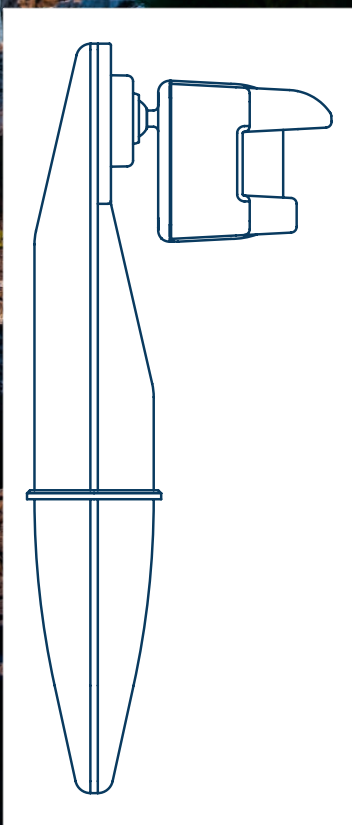
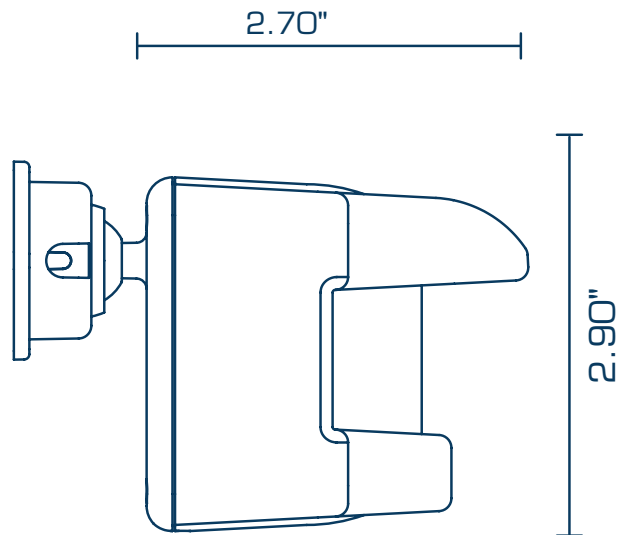
- Part Number: 06730
 - Angle: 120°
 - Range: 40 ft.
-
- Mounting Stake Included
 - 5 Year Warranty



WTHRL-100-MS

LandLight
Enhance The Night

Dimensions



HydroRain®'s stylish Motion Sensor adds increased flexibility to outdoor landscape lighting. Connecting directly into HydroRain®'s 3-Station LED Landscape Light Controller/Transformer, it can be mounted on any wall or hidden in a garden or flowerbed with its stake-mount option. The sensor features an 120° motion detection angle that senses movement up to 40 ft. away.

Enhance The Night - www.landlight.ca