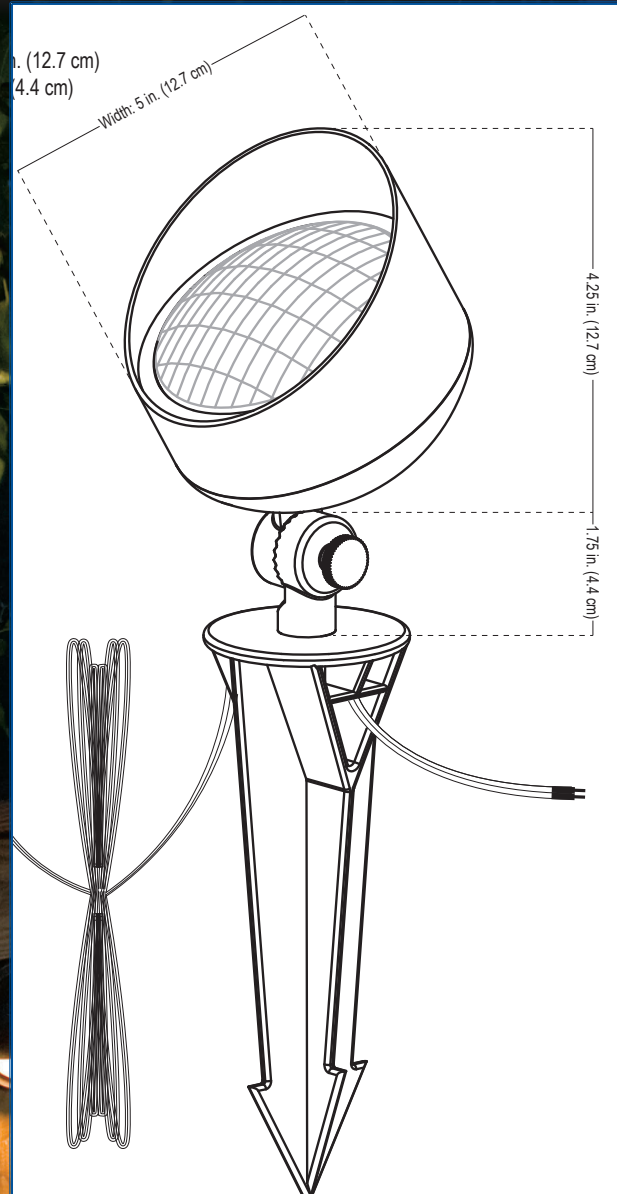


# BRASS PAR36 SPOT

LandLight  
Enhance The Night



WTBL300



## Specifications and Features:

**Body:** Solid brass with an aged brass finish

**Knuckle:** Solid brass with dial adjustment for easy adjustments

**Shroud:** Brass with turn and lock fitting

**Socket:** Spade connectors for LPAR36 lamps

**Wire:** Industry First, double wire lead pre-connected to the fixture, 16 awg (*UL listed*), brown  
-25 foot wire lead, pre-stripped for easy wire connection  
-18 inch wire lead, LED connection ready

**Stake:** Plastic ground stake, attached to the fixture (8.5 in; 21.6 cm length)

**Warranty:** Lifetime warranty on fixture housing

**Certification:** Complies with the requirements of UL-1838 and CAN/CSA-C22.2 No. 250.7. Identified with the ETL and cETL Listed Mark.



**EASILY CONVERTED  
TO LED WITH THE  
APPROPRIATE BULB**

Enhance The Night - [www.landlight.ca](http://www.landlight.ca)